



Transformer Box Pads

Our Most Popular Products



Stackable boxes take up less storage yard space

Transformer Box Pad Features:

- Designed to **directly support transformer** without a separate pad
- Tapered for nesting to **reduce storage yard requirements**
- **Large numbers** of box pads can be **easily transported**
- **Reinforced ribs** for **resistance to deflection** due to applied transformer weight
- 4-1/2" lip around perimeter at base for **secured installation** and **stability** of transformer and prevention of tipping and settling
- TX Series Box Pads offer two stainless steel recessed channel struts for **securing transformer**
- TX-TI Series Box Pads offer 3/8"-16 UNC threaded inserts and electroplated steel hold-down cleats and 1" penta head bolts used for **securing transformer** to pad
- Once installed the transformer **location cannot be compromised by other utilities**
- **RUS accepted**



TX-TI Series w/Optional Lids

PROGLASS, INC.

P.O. Box 581 - Wauna, WA 98395
www.proglassinc.com Email: sales@proglassinc.com
Phone: 253-884-4008 Fax: 253-884-5064

4/8/2011 3:23 PM

2.00



Transformer Box Pads

TX Series w/Optional Lids

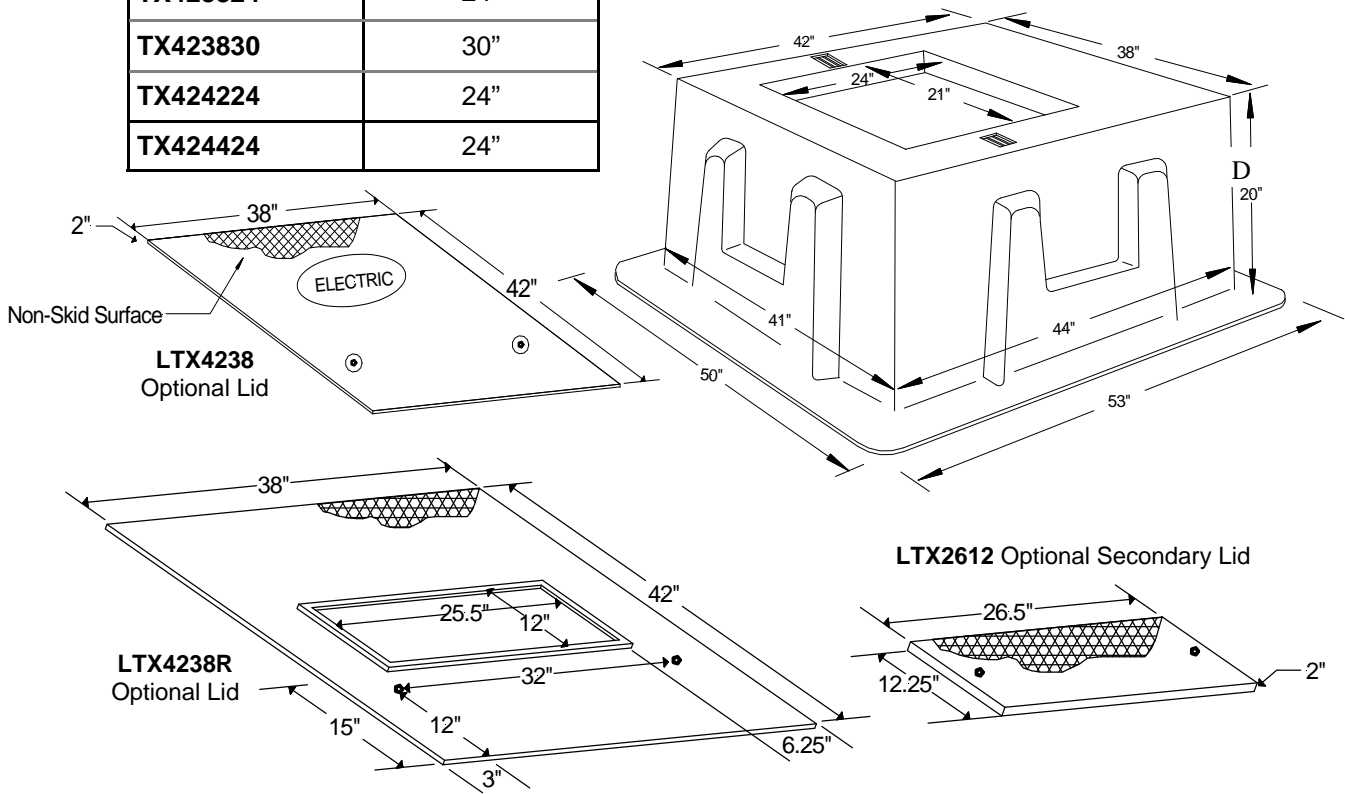


TX423820 With Optional Lid



TX423830

Stock Number	Depth "D"
TX423820	20"
TX423824	24"
TX423830	30"
TX424224	24"
TX424424	24"



(Recessed SS Unistrut Mounts)

NOTICE: This document (and all of the information, data and designs contained herein) is the property of Power Glass, Inc., dba PROGLASS, and is to be used only in reference to work proposed or contracted by PROGLASS. This confidential information must not be copied, duplicated, or used without the expressed permission or written consent of PROGLASS. These drawings must be returned immediately upon request. *Dimensions (inches) are measured at the intersection of projected adjacent planes.*

PROGLASS, INC.

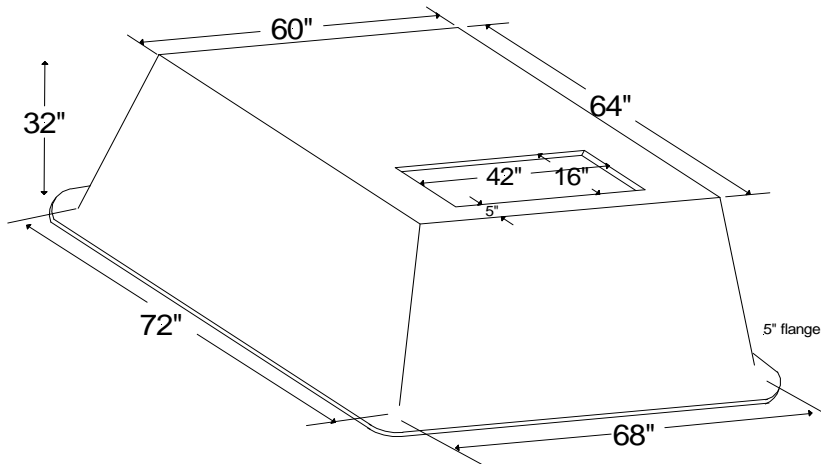
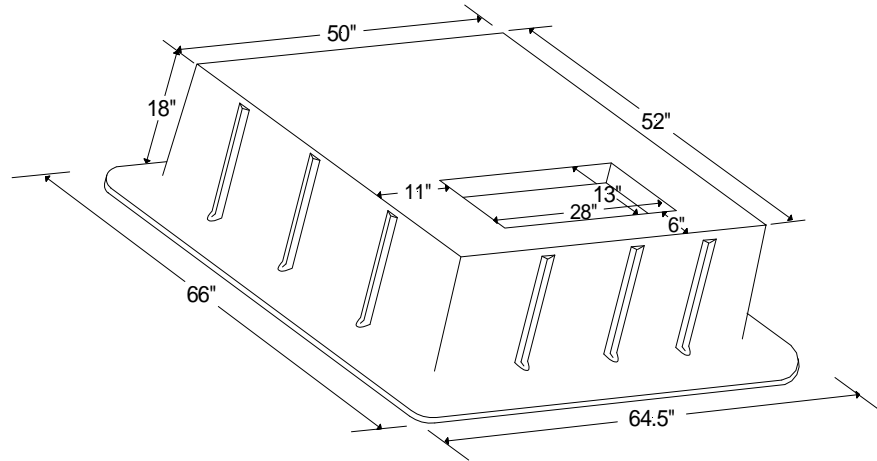
P.O. Box 581 - Wauna, WA 98395
 www.proglassinc.com Email: sales@proglassinc.com
 Phone: 253-884-4008 Fax: 253-884-5064



Transformer Box Pads

TX505218 & TX646032

TX505218



TX646032

NOTICE: This document (and all of the information, data and designs contained herein) is the property of Power Glass, Inc., dba PROGLASS, and is to be used only in reference to work proposed or contracted by PROGLASS. This confidential information must not be copied, duplicated, or used without the expressed permission or written consent of PROGLASS. These drawings must be returned immediately upon request. *Dimensions (inches) are measured at the intersection of projected adjacent planes.*

PROGLASS, INC.

P.O. Box 581 - Wauna, WA 98395

www.proglassinc.com Email: sales@proglassinc.com

Phone: 253-884-4008 Fax: 253-884-5064

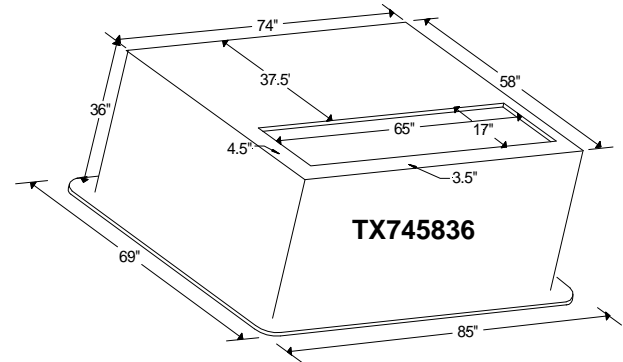
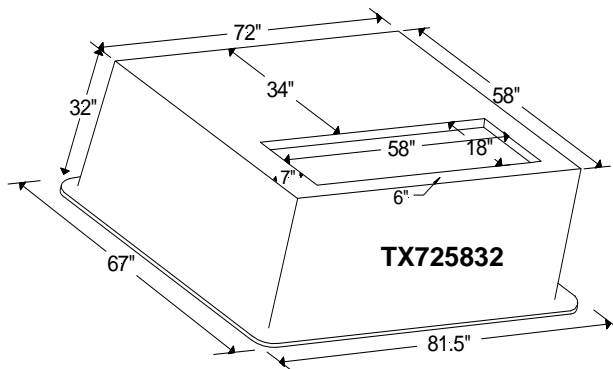
4/8/2011 3:23 PM

2.02



Transformer Box Pads

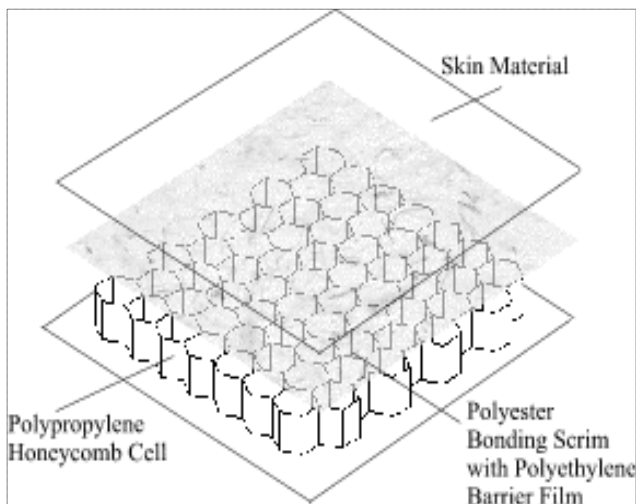
3-Phase TX Series



Features:

- **Heavy-Duty Construction**
- **NIDA-CORE reinforcement** surrounded by 6 layers of fiberglass—produces **high strength with light weight**.
- **Highest Glass Content—30%!**
- Female mold used for **smooth exterior finish** with Marine Grade Gel Coat for the **finest U.V. resistance**.
- Interior fiberglass covered **foam structural beams**

NIDA-CORE is extruded polypropylene honeycomb used as a lightweight core. It features a non-woven polyester scrim thermo-fused to each of the core faces. This polyester scrim provides superior bonding properties and peel strength. NIDA-CORE provides high strength, exceptional resilience, material integrity, and is non degradable.



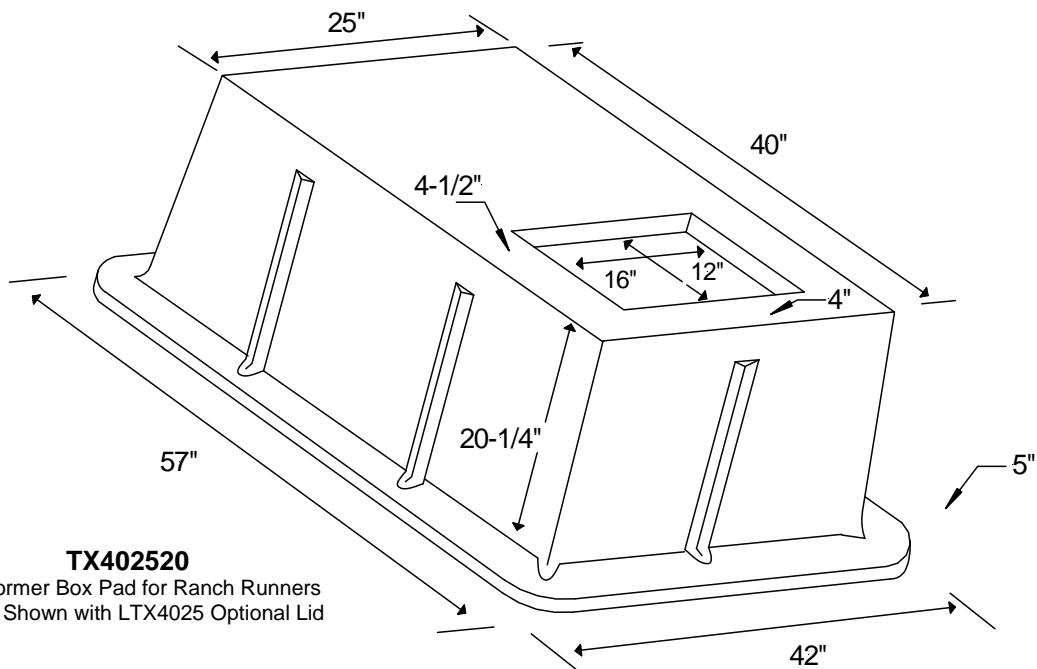
PROGLASS, INC.

P.O. Box 581 - Wauna, WA 98395
www.proglassinc.com Email: sales@proglassinc.com
Phone: 253-884-4008 Fax: 253-884-5064



Transformer Box Pads

Ranch Runner



PROGLASS, INC.

P.O. Box 581 - Wauna, WA 98395
www.proglassinc.com Email: sales@proglassinc.com
Phone: 253-884-4008 Fax: 253-884-5064

4/8/2011 3:23 PM

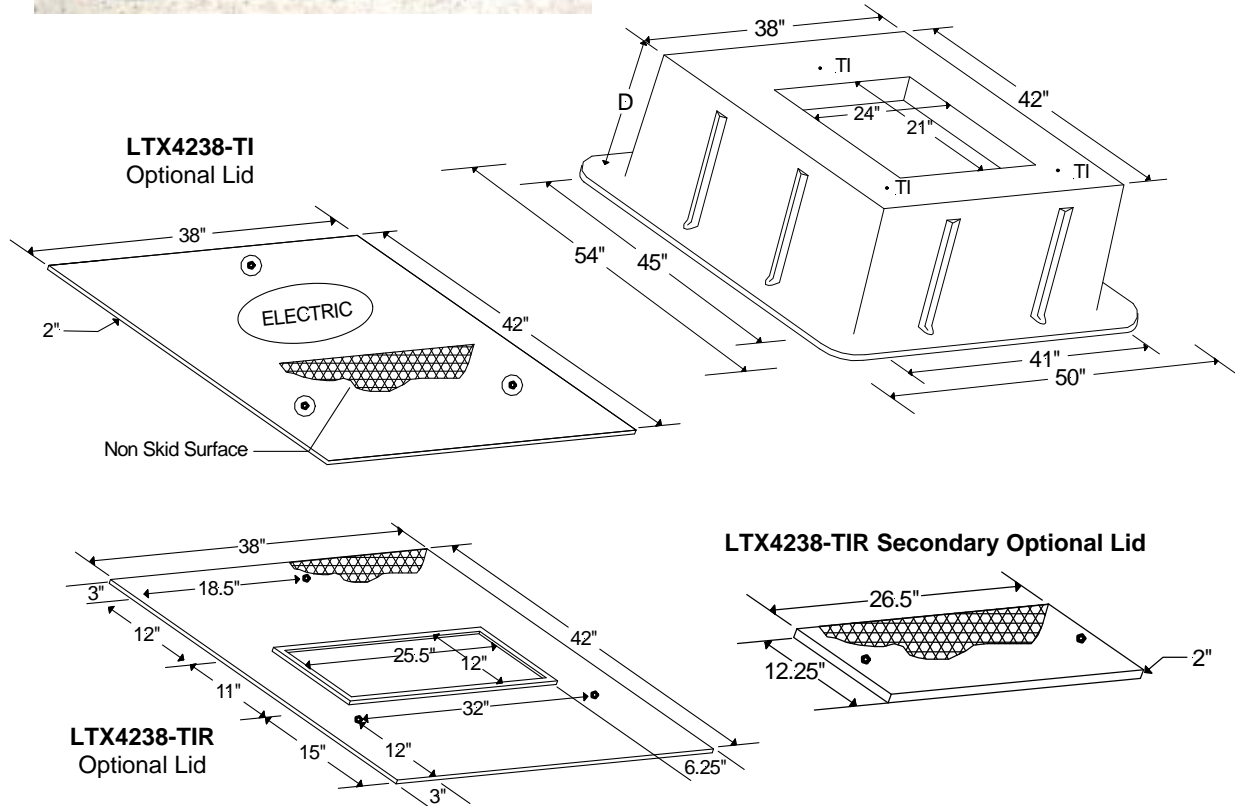


Transformer Box Pads

TX-TI Series w/Optional Lids



Stock Number	Depth "D"	Opening
TX423815-CETI	15"	21"x12"
TX423815-TI	15"	24"x21"
TX423820-TI	20"	24"x21"
TX423824-TI	24"	24"x21"
TX423830-TI	30"	24"x21"
TX423836-TI	36"	24"x21"



TI's Come with SS 3/8-16 Threaded Inserts with Adjustable Hold Down Cleats

PROGLASS, INC.

P.O. Box 581 - Wauna, WA 98395
 www.proglassinc.com Email: sales@proglassinc.com
 Phone: 253-884-4008 Fax: 253-884-5064

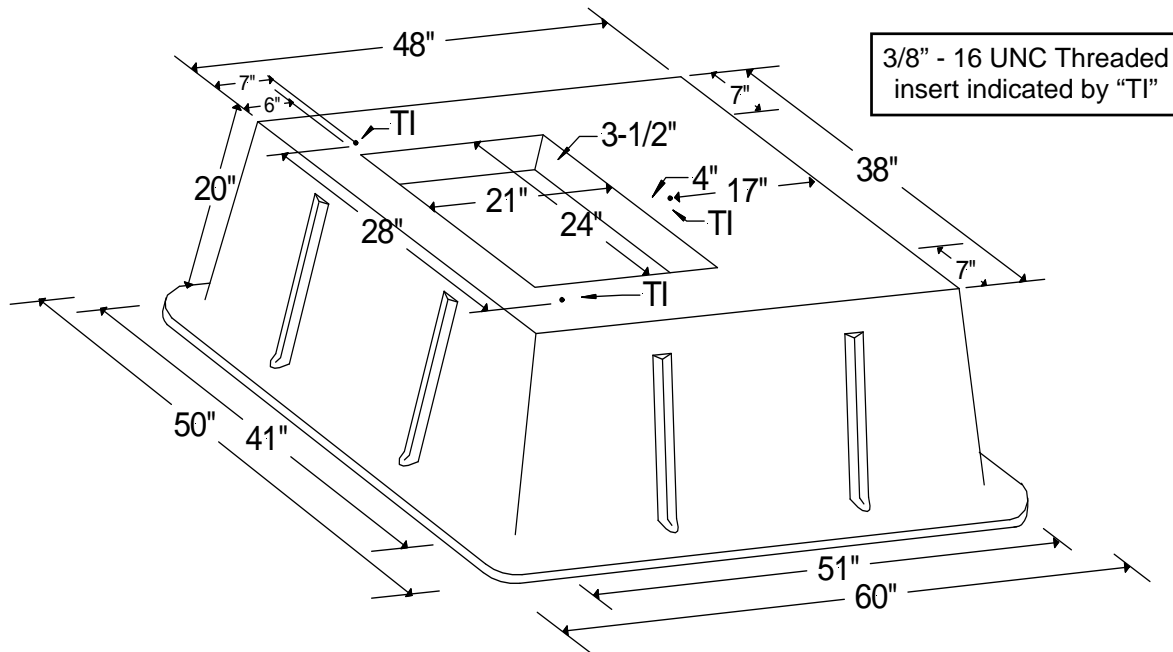


Transformer Box Pads

TX-TI Series



TX483820-TI



PROGLASS, INC.

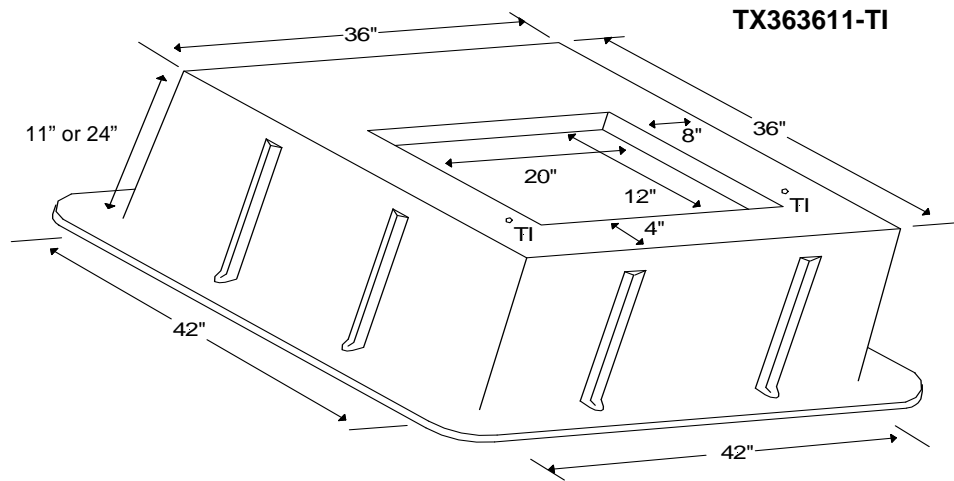
P.O. Box 581 - Wauna, WA 98395
www.proglassinc.com Email: sales@proglassinc.com
Phone: 253-884-4008 Fax: 253-884-5064

4/8/2011 3:23 PM



Transformer Box Pads

TX363611-TI and TX363624-TI



3/8" - 16 UNC Threaded
insert indicated by "TI"



TX363624-TI

Features:

- Designed to **directly support transformer** without a separate pad
- Tapered for nesting to **reduce storage yard requirements**
- **Large numbers** of box pads can be **easily transported**
- **Reinforced ribs** for **resistance to deflection** due to applied transformer weight
- 4-1/2" lip around perimeter at base for **secured installation** and **stability** of transformer and prevention of tipping and settling
- TX-TI Series Box Pads offer three 3/8"-16" UNC threaded inserts and electroplated steel hold-down cleats and 1" pentahead bolts used for **securing transformer** to pad
- **RUS accepted**

PROGLASS, INC.

P.O. Box 581 - Wauna, WA 98395
www.proglassinc.com Email: sales@proglassinc.com
Phone: 253-884-4008 Fax: 253-884-5064

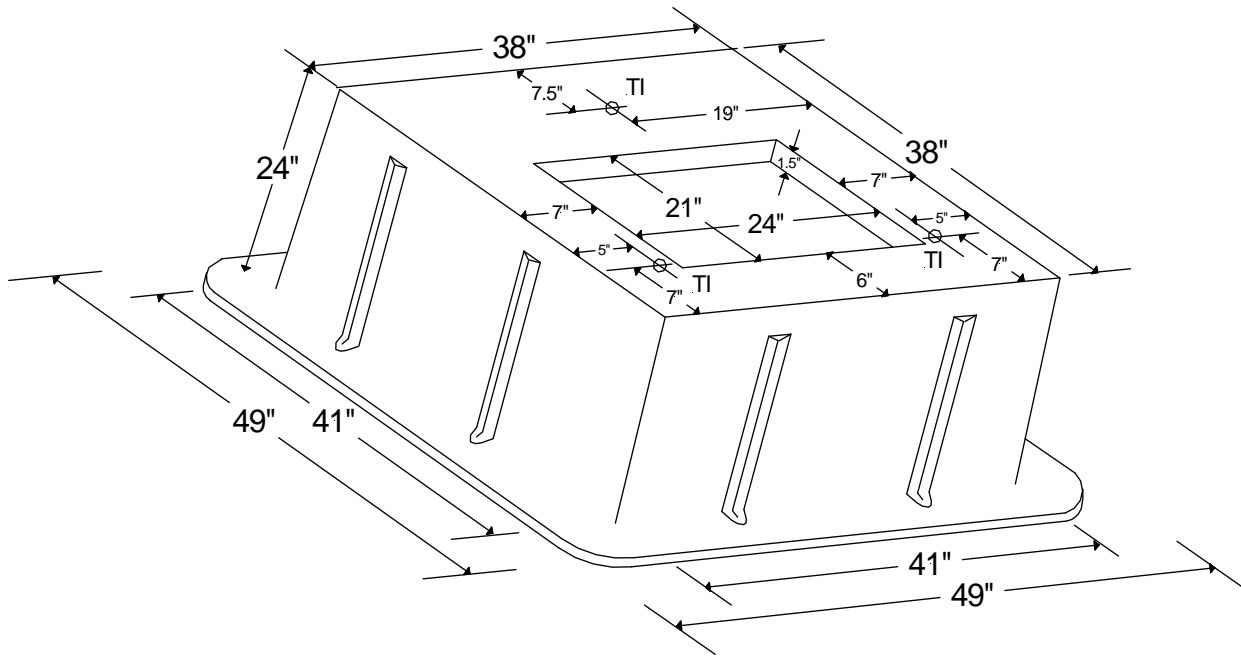
4/8/2011 3:23 PM

2.07

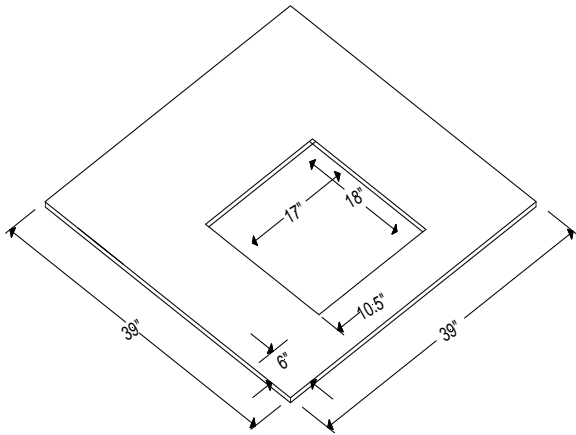


Transformer Box Pads

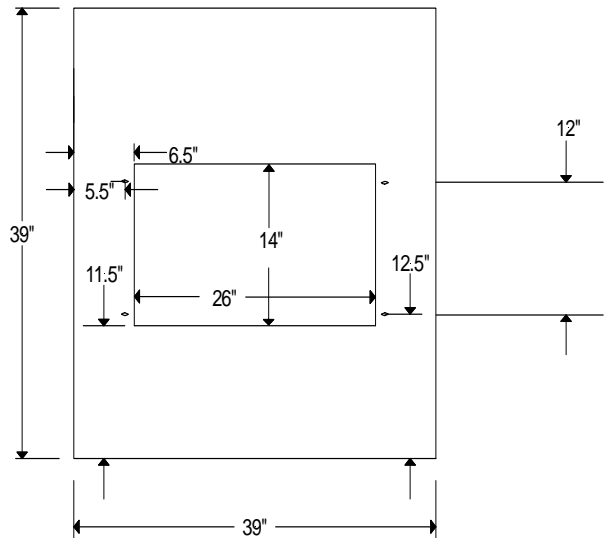
TX383824-TI



Optional Overlapping Lid w/17"x18" Opening for Ranch Runner



Optional Overlapping Lid w/14"x26" Opening for Single-Phase Sectionalizing Enclosure



PROGLASS, INC.

P.O. Box 581 - Wauna, WA 98395

www.proglassinc.com Email: sales@proglassinc.com

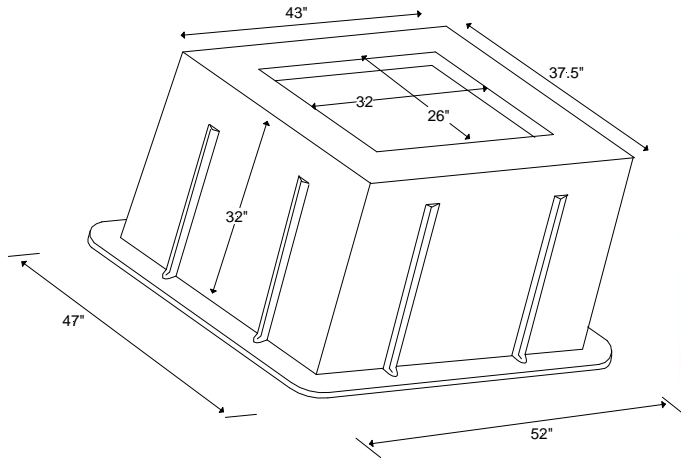
Phone: 253-884-4008 Fax: 253-884-5064



Transformer Box Pads

TX433732-TI

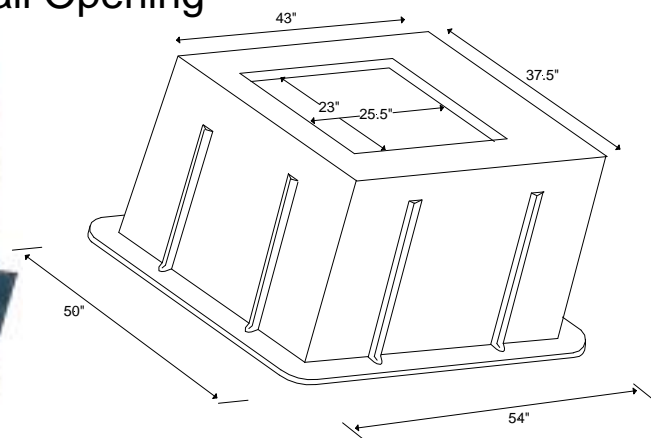
Large Opening



Features:

- Designed to **directly support transformer** without a separate pad
- Tapered for nesting to **reduce storage yard requirements**
- **Large numbers** of box pads can be **easily transported**
- **Reinforced ribs** for **resistance to deflection** due to applied transformer weight
- 4-1/2" lip around perimeter at base for **secured installation** and **stability** of transformer and prevention of tipping and settling
- TX-TI Series Box Pads offer three 3/8"-16" UNC threaded inserts and electroplated steel hold-down cleats and 1" pentahead bolts used for **securing transformer** to pad
- **RUS accepted**

Small Opening



PROGLASS, INC.

P.O. Box 581 - Wauna, WA 98395

www.proglassinc.com Email: sales@proglassinc.com

Phone: 253-884-4008 Fax: 253-884-5064

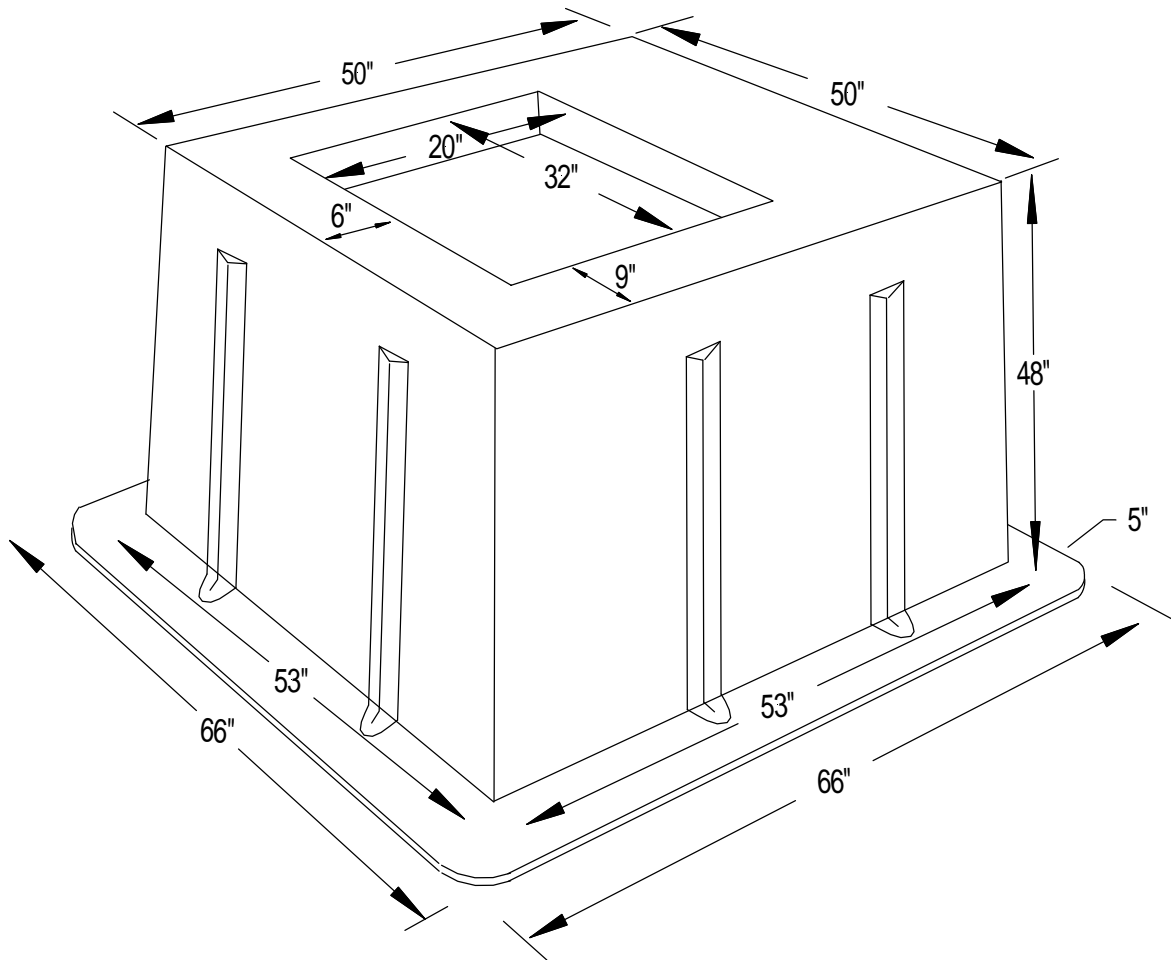
4/8/2011 3:23 PM

2.09



Transformer Box Pads

TX505048



PROGLASS, INC.

P.O. Box 581 - Wauna, WA 98395
www.proglassinc.com Email: sales@proglassinc.com
Phone: 253-884-4008 Fax: 253-884-5064

4/8/2011 3:23 PM



Secondary Splice Box w/Overlapping Lid

ProGlass manufactures the finest fiberglass electrical boxes in the business. Our commitment to excellence guarantees you a satisfactory product every time.

Features:

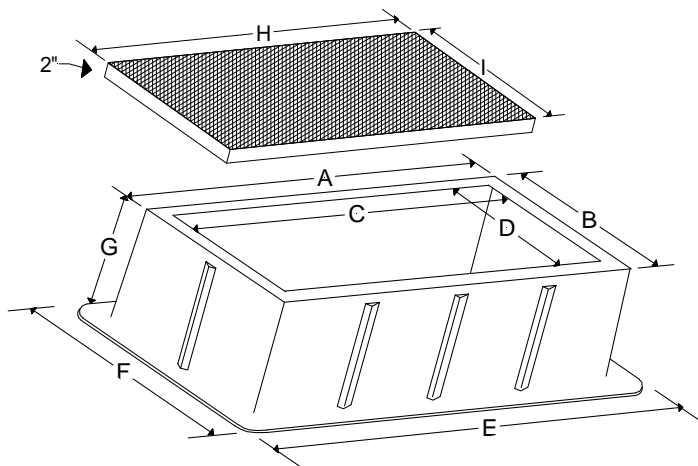
- **Non-Conductive** and **Corrosion Resistant**
- **High Strength-to-Weight Ratio**
- 4-1/2" Perimeter Lip at Base for **Stability**
- **Internal Reinforced Ribs** for Resistance to Deflection

Lid Features:

- **Non-Skid Surface**
- Secured by **Penta-Head Bolts**



Stock Id	Top		Opening		Base		Depth	Lid	
	A	B	C	D	E	F	G	H	I
SG251615	25"	16"	20"	12"	48"	32"	15"	25.5"	16.5"
SG322624	32"	26"	26"	20"	46"	40"	24"	32.5"	26.5"
SG372115	37.5"	21"	32"	17"	50"	33"	15"	38"	21.5"
SG432115	43.5"	21"	38"	17"	55.5"	32.5"	15"	44"	21.5"
SG432120	43.5"	21"	38"	17"	55.5"	32.5"	20"	44"	21.5"
SG483018	48"	30"	42"	24"	59"	41"	18"	48.5"	30.5"
SG483030	48"	30"	42"	24"	61"	43"	30"	48.5"	30.5"



PROGLASS, INC.

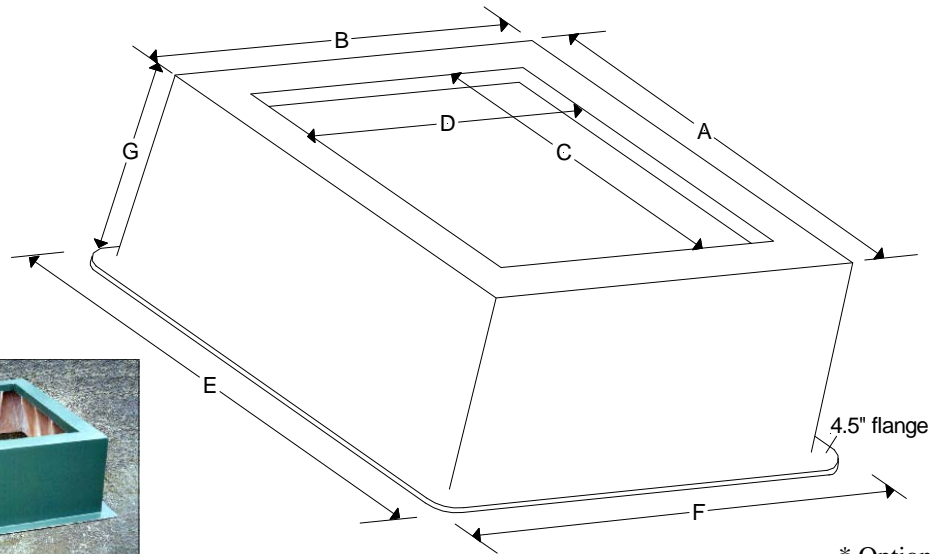
P.O. Box 581 - Wauna, WA 98395
www.proglassinc.com Email: sales@proglassinc.com
 Phone: 253-884-4008 Fax: 253-884-5064



Switchgear Box Pads

Features:

- **Non-Conductive** and **Corrosion Resistant**
- **High Strength-to-Weight Ratio**
- 4-1/2" Perimeter Lip at Base for **Stability**
- **Internal Reinforced Ribs** for Resistance to Deflection
- **Custom Sizes Available** for Virtually Any Size Switchgear
- All Non Degradable Reinforcement -No Wood



* Optional Lid Available

Stock Id	Top		Opening		Base		Depth
	A	B	C	D	E	F	G
SG593936	59"	39"	44"	27-7/8"	67"	50"	36"
SG686032	68"	60"	61"	53"	81"	71"	32"
SG686832	68"	68"	60"	60"	77"	77"	32"
SG704432	70"	44"	60"	30"	81.5"	55.5"	32"
SG716536	71"	65"	56"	50"	77"	71"	36"
SG767440	76"	74"	64"	62"	87"	86"	40"
SG787332	78"	73"	68"	58.5"	90"	85.5"	32"
SG866632	86"	66"	71"	51"	96"	78"	32"
SG867832	86"	78"	71"	63"	97.5"	89.5"	32"

PROGLASS, INC.

P.O. Box 581 - Wauna, WA 98395
 www.proglassinc.com Email: sales@proglassinc.com
 Phone: 253-884-4008 Fax: 253-884-5064

4/8/2011 3:23 PM



Switchgear Box Pads

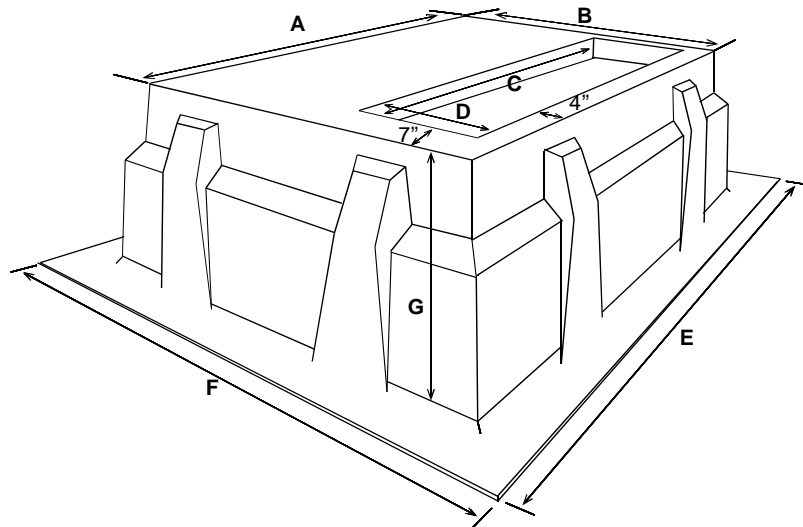
ProGlass manufactures the finest fiberglass electrical boxes in the business. Our commitment to excellence guarantees you a satisfactory product every time.

Features:

- **Non-Conductive** and **Corrosion Resistant**
- **High Strength-to-Weight Ratio**
- **8" Perimeter Lip at Base for Stability**
- **External Reinforced Ribs** for Resistance to Deflection
- Non Degradable Reinforcements
- Marine Grade Gel Coat



Stock Id	Top		Opening		Base		Depth
	A	B	C	D	E	F	G
SG845630	84"	56"	70"	18"	117"	81"	30"
SG1045630	104"	56"	90"	18"	137"	81"	30"



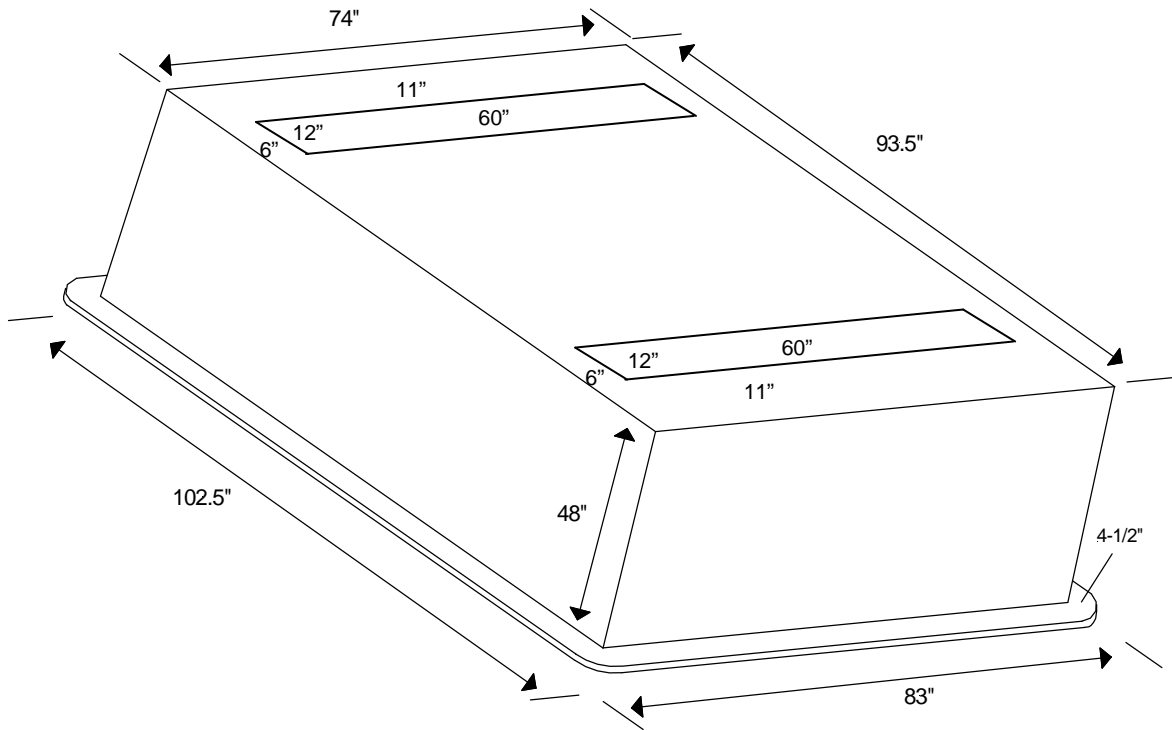
PROGLASS, INC.

P.O. Box 581 - Wauna, WA 98395
www.proglassinc.com Email: sales@proglassinc.com
Phone: 253-884-4008 Fax: 253-884-5064

4/8/2011 3:23 PM



Switchgear Box Pad SG937448 for 35-kV VFI-6 or VFI-9



PROGLASS, INC.

P.O. Box 581 - Wauna, WA 98395
www.proglassinc.com Email: sales@proglassinc.com
Phone: 253-884-4008 Fax: 253-884-5064

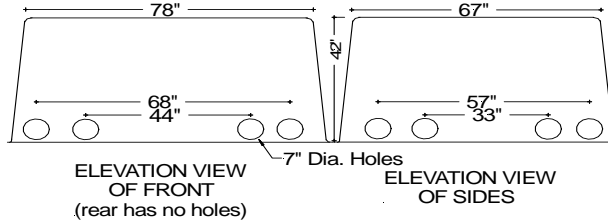
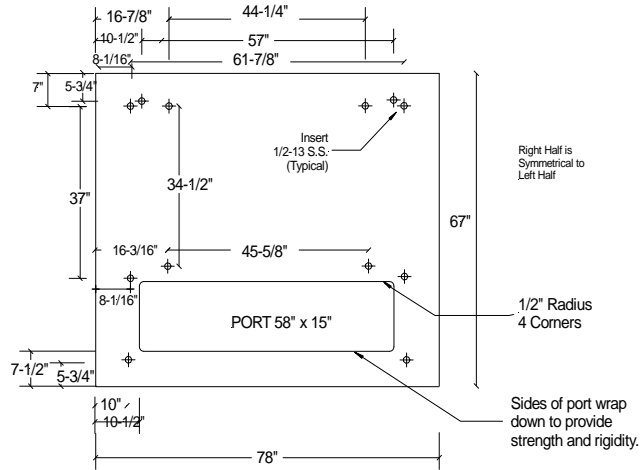
4/8/2011 3:23 PM



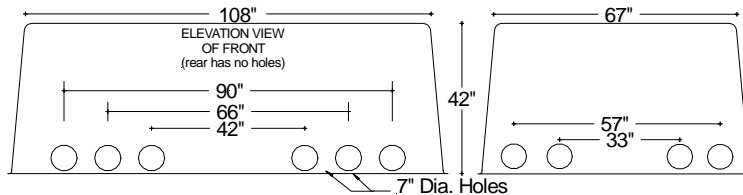
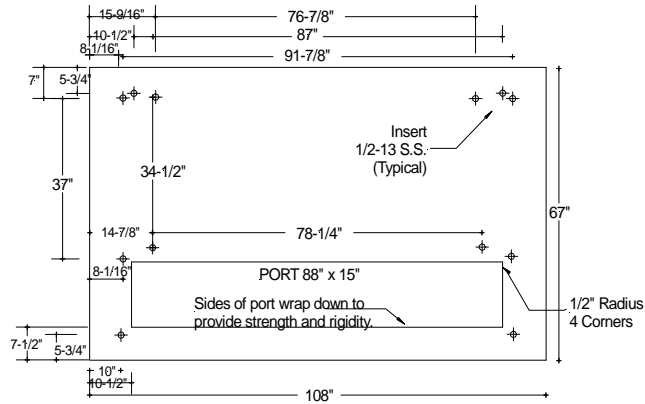
S&C Vista Switchgear

3-Way, 4-Way, 5-Way, 6-Way

SG786742



SG1086742



Hole Placement about 1" from bottom and as shown with a reinforcing rib between the two close holes.

PROGLASS, INC.

P.O. Box 581 - Wauna, WA 98395
www.proglassinc.com Email: sales@proglassinc.com
Phone: 253-884-4008 Fax: 253-884-5064



S&C Switchgear

Recommendations

S&C Model	Base Size-15 KV	PG Model	Base Size-25 KV	PG Model
PME-5	66-3/4" X 41"	SG704432	81-3/4" X 46"	————
PME-6	66-3/4" X 75"	SG767440	81-3/4" X 84"	————
PME-9	66-3/4" X 75"	SG767440	81-3/4" X 84"	————
PME-10	72-3/4" X 75"	SG767440	88-1/4" X 84"	————
PME-11	72-3/4" X 75"	SG767440	88-1/4" X 84"	————
PME-12	66-3/4" X 75"	SG767440	81-3/4" X 84"	————
PMH-3	37-3/4" X 34-7/8"	————	56-3/4" X 43"	————
PMH-4	37-3/4" X 34-7/8"	————	53-3/7" X 43"	————
PMH-5	51-3/4" X 34-7/8"	————	65-3/4" X 43"	————
PMH-6	60-3/4" X 67"	SG716536	76-3/4" X 82"	SG867832
PMH-7	60-3/4" X 67"	SG716536	76-3/4" X 82"	SG867832
PMH-8	60-3/4" X 67"	SG716536	76-3/4" X 82"	SG867832
PMH-9	60-3/4" X 67"	SG716536	76-3/4" X 82"	SG867832
PMH-10	60-3/4" X 67"	SG716536	76-3/4" X 82"	SG867832
PMH-11	60-3/4" X 67"	SG716536	76-3/4" X 82"	SG867832
PMH-12	60-3/4" X 67"	SG716536	76-3/4" X 82"	SG867832
PMH-13	60-3/4" X 67"	SG716536	76-3/4" X 82"	SG867832
PMH-19	60-3/4" X 67"	SG716536	76-3/4" X 82"	SG867832
PMS-3	37-3/4" X 39"	————	————	————
PMS-5	51-3/4" X 39"	————	————	————
PMS-6	51-3/4" X 78"	————	————	————
PMS-7	51-3/4" X 78"	————	————	————
PMS-9	51-3/4" X 78"	————	————	————
PMS-11	51-3/4" X 78"	————	————	————
PMS-12	51-3/4" X 78"	————	————	————
PMU-5	38" X 37"	————	————	————
PMU-5M	72" X 70"	————	————	————
PMU-6	72" X 70"	SG787332	————	————
PMU-6M	72" X 70"	SG787332	————	————
PMU-7	72" X 70"	SG787332	————	————
PMU-8	72" X 70"	SG787332	————	————
PMU-9	72" X 70"	SG787332	————	————
PMU-19	72" X 70"	SG787332	————	————

PROGLASS, INC.

P.O. Box 581 - Wauna, WA 98395
 www.proglassinc.com Email: sales@proglassinc.com
 Phone: 253-884-4008 Fax: 253-884-5064