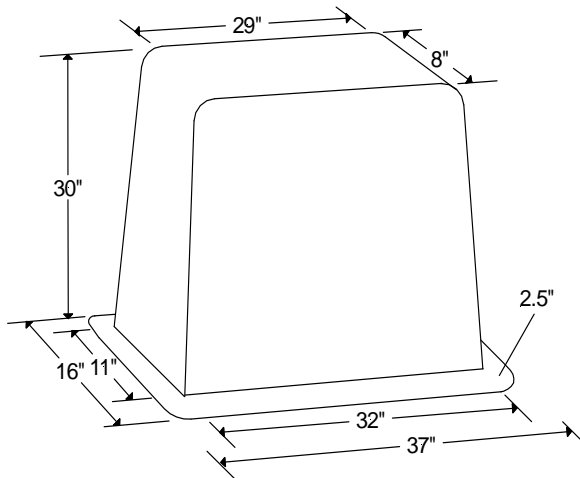




Looping Enclosure

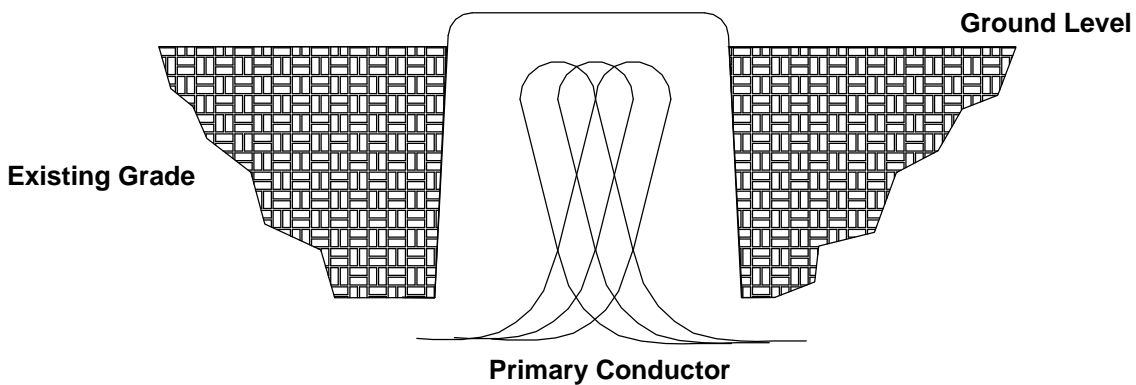
Features:

- **Non-Conductive**
- **Corrosion Resistant**
- High Strength-to-Weight Ratio
- 2.5" Lip Around Perimeter Base for **Stability**
- Tapered for Nesting to **Reduce Storage Yard Requirements**



Use:

- For **Looping Direct Buried Primary Cable** at Locations where Future Devices are Anticipated



PROGLASS, INC.

P.O. Box 581 - Wauna, WA 98395
www.proglassinc.com Email: sales@proglassinc.com
Phone: 253-884-4008 Fax: 253-884-5064

4/8/2011 3:25 PM