



Secondary Splice Box w/Overlapping Lid

ProGlass manufactures the finest fiberglass electrical boxes in the business. Our commitment to excellence guarantees you a satisfactory product every time.

Features:

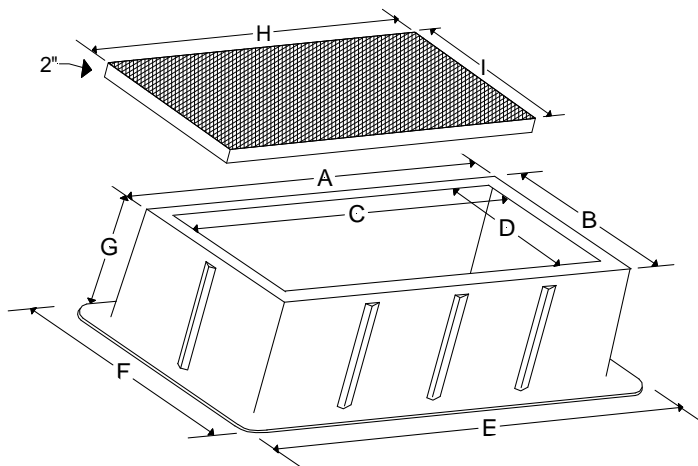
- **Non-Conductive** and **Corrosion Resistant**
- **High Strength-to-Weight Ratio**
- 4-1/2" Perimeter Lip at Base for **Stability**
- **Internal Reinforced Ribs** for Resistance to Deflection

Lid Features:

- **Non-Skid Surface**
- Secured by **Penta-Head Bolts**



Stock Id	Top		Opening		Base		Depth	Lid	
	A	B	C	D	E	F	G	H	I
SG251615	25"	16"	20"	12"	48"	32"	15"	25.5"	16.5"
SG322624	32"	26"	26"	20"	46"	40"	24"	32.5"	26.5"
SG372115	37.5"	21"	32"	17"	50"	33"	15"	38"	21.5"
SG432115	43.5"	21"	38"	17"	55.5"	32.5"	15"	44"	21.5"
SG432120	43.5"	21"	38"	17"	55.5"	32.5"	20"	44"	21.5"
SG483018	48"	30"	42"	24"	59"	41"	18"	48.5"	30.5"
SG483030	48"	30"	42"	24"	61"	43"	30"	48.5"	30.5"



PROGLASS, INC.

P.O. Box 581 - Wauna, WA 98395
 www.proglassinc.com Email: sales@proglassinc.com
 Phone: 253-884-4008 Fax: 253-884-5064